

Protero

8722 E. Research Center Road
New Hope, MN 55428

Toll Free 1-866-476-8376 (763) 535-4038 Fax (763) 535-4633
www.proteroinc.com mail to: sales@proteroinc.com

Lawn Vacs
Dethatchers
Sulkies



Pro Vac 18



Pro Vac 212



Pro Vac 212



Pro Vac 230



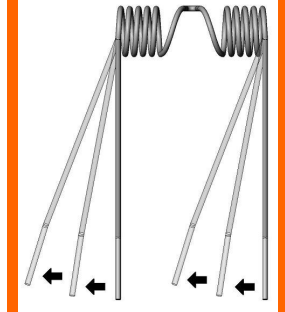
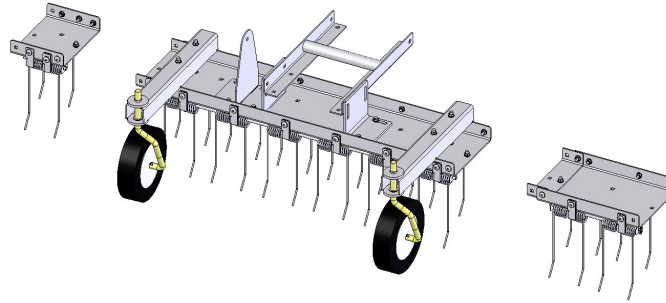
Pro Sulky



Pro Rake

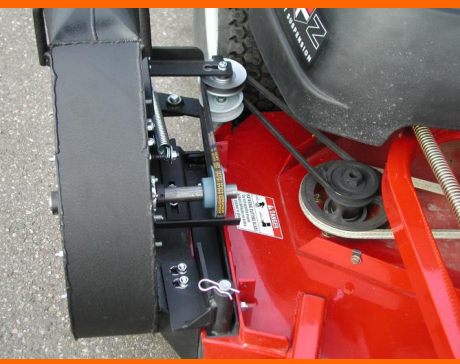
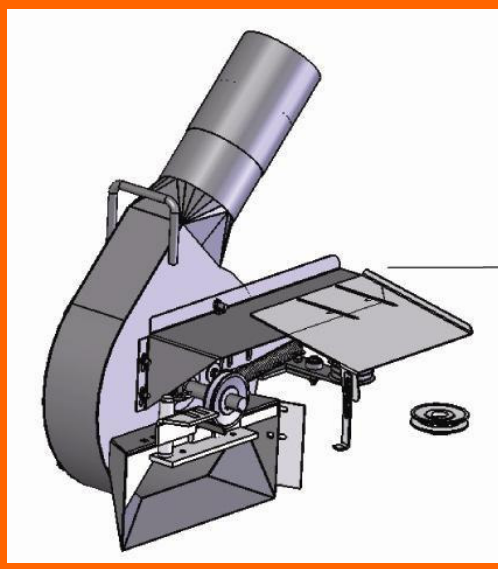


Pro Rake



- **Fits all standard deck sizes from 36" to 72"** using modular 6" and 12" extensions.
- **Spring coil brackets designed for free motion** Optimal spring action for dethatching and increased life of the springs.
- **Heavy-duty 10 gauge steel.** More rugged than comparable units.
- **Priced lower than comparable units**

Spaced spring coils:
Designed for maximum sideways flexibility of tines.
Prevents lawn damage in turns.
Prolonged spring life.



Universal Blower

- Powerful vacuum
- Belt driven—No motor
- All heavy duty steel
- Great material reduction
- Quick detach
- Adds only 8" to mower width
- Easy maintenance.



PV 212

Dump-from-seat !



PV 18

- 12 cubic feet (9.5 bushels)
- Heavy duty plastic
- Quick attach/detach
- Great capacity at a great price!
- Rugged tubular frames & secure latching
- Fits John Deere, Simplicity, & Cub Cadet residential mowers
- Complete system for commercial zero turns at best price!

- 18 cubic feet (14.5 bushels)
- Heavy duty plastic
- Quick attach/detach
- Optimal capacity for maneuverability & visibility
- Rugged tubular frames & secure latching
- Fits almost all major brands of commercial mowers.
- Optional 7" and 8" intakes to match other blowers